



FLOWMETER SA 91 C.E.

(MOD. SA 91 C.E.)



These instruments have been designed to measure the instantaneous flow rate of fluids (lt / H).

The measurable flow values range from fractions of m^3 / h to $50 m^3$, with a measurement accuracy that can reach up to 1% of the full scale value. The sensitivity of the instrument is also very high: it is possible to measure a flow rate equal to 1/10 than the nominal one.

TECHNICAL FEATURES:

The instrument must be mounted in a vertical position. The direction of the fluid is from the bottom up.

Measuring range: 1-10.

Accuracy: $\pm 1\%$ f.s.

Operating temperature: the fluid to be measured can have a temperature between -10 and $+ 300$ ° C.

Scale length: 120 mm.

Construction material: Parts in contact with the fluid are in AISI 316. Housing of the indicator in AISI 304. Degree of seal of the IP 55 indicator.

Connections: threading according to food standards: DN - SMS - CLAMP - GAS Flanged PN 10 - PN 16 - UNI 2223.

Warranty: 5 years on cone and float.

Waterproof case: \varnothing 150 mm

Flow lt / h:

DN 25 - 100/1000

DN 25 - 200/2000

DN 40 - 200/2000

DN 40 - 300/3000

DN 40 - 500/5000

DN 50 - 800/8000

DN 50 - 2000/16000

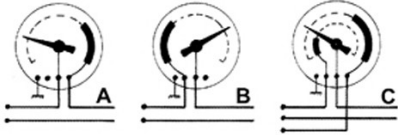
DN 65 - 2500/25000

DN 80 - 5000/50000

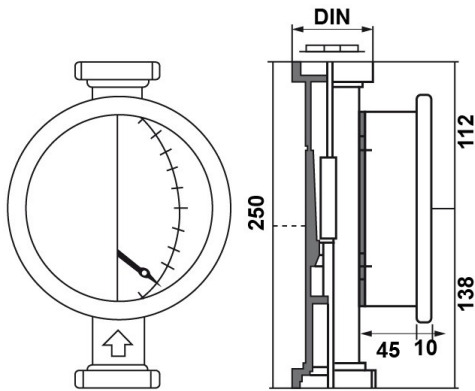


Flowmeter SA 91 C.E. has the same characteristics as the SA 91 but with:

- 1 contact of min
- 2 contact of max
- 3 contacts of min. and max. adjustable on the whole scale

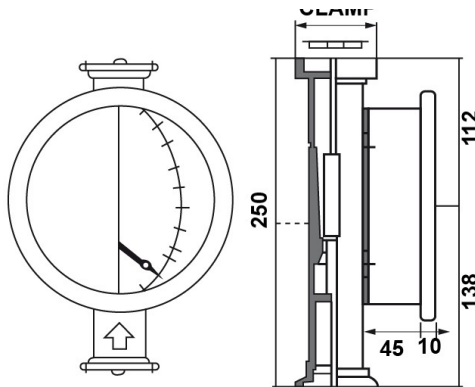


A: Contatto di massima in chiusura
 B: Contatto di minima in chiusura
 C: 1 contatto di max., 1 contatto di min. in chiusura



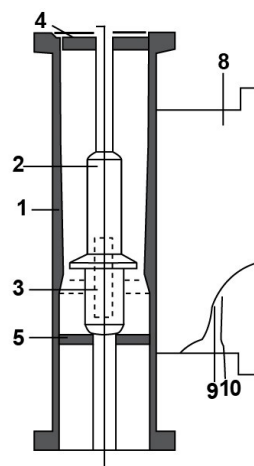
DN	PORTATA l/h DA	A
25	100	1.000
	200	2.000
40	200	2.000
	300	3.000
	500	5.000
50	800	8.000
	2.000	16.000
65	2.500	25.000
80	5.000	50.000

DIN



CLAMP	PORTATA l/h DA	A
1" 1/2	100	1.000
	200	2.000
2"	200	2.000
	300	3.000
	500	5.000
2" 1/2	800	8.000
	2.000	16.000
3"	2.500	25.000
4"	5.000	50.000

CLAMP



1	Corpo del misuratore
2	Galleggiante
3	Magnete
4	Guida superiore
5	Guida inferiore
8	Custodia indicatore
9	Scala
10	Indice

INDOOR

Certificates:

Certification of materials

MOCA certification (materials in contact with food - on request)

Flowmeter calibration certificate (list of single measured values; 5 measuring points)

Order information:

Flow / Process connection / Pipe size / Parts / Product specific weight / Certificates